

BIJUR DELIMON[®]
INTERNATIONAL



THE FUTURE OF PRECISION
AIR-OIL LUBRICATION IS ***NOW!*** >>>

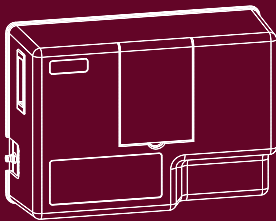


WITH THE INTRODUCTION OF BIJUR DELIMON'S
NEW LINE OF ***OIL STREAK SYSTEMS!*** >>>

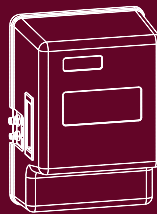
PRODUCT OVERVIEW

MANUFACTURERS WHO RELY ON HIGH SPEED MACHINING, GRINDING AND CENTRIFUGE EQUIPMENT FOR THEIR LIVELIHOOD TALKED... AND THE ENGINEERS AT BIJUR DELIMON INTERNATIONAL LISTENED. THE NEW LINE OF **OIL STREAK AIR-OIL SYSTEMS** BY BIJUR DELIMON COMBINE THE BEST OF ALL WORLDS IN A CLEAN LOOKING, PRECISE, SIMPLE TO USE "PLUG & PLAY" FORMAT, DESIGNED TO OUTPERFORM ALL COMPETITION IN YOUR MOST DEMANDING HIGH SPEED SPINDLE BEARING APPLICATIONS.

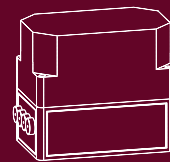
SYSTEM INSTALLATION IS NEAT, CLEAN AND DOWNRIGHT GOOD LOOKING. BUT AT THE HEART OF THE SYSTEM, YOU'LL FIND THE INDUSTRY'S MOST RELIABLE AND PROVEN COMPONENTS PROVIDED IN A PRECONFIGURED, DEPENDABLE PACKAGE TO ENSURE THAT YOUR HIGH-SPEED SPINDLE BEARINGS ARE PROTECTED... DAY AFTER DAY, WEEK AFTER WEEK, YEAR AFTER YEAR. AT THE HEART OF THE SYSTEM, BIJUR DELIMON'S SUREFIRE LUBRICATOR DELIVERS A WIDE ASSORTMENT OF SPINDLE LUBRICANTS TO THE PROCESSING EQUIPMENT. BIJUR DELIMON'S LONG PROVEN AIR-OIL MIXING VALVES BLEND PRECISE AMOUNTS OF AIR AND OIL, THANKS IN PART, TO SPECIAL OIL INJECTORS DESIGNED SPECIFICALLY FOR SPINDLE OIL APPLICATIONS. FILTRATION, AIR-OIL REGULATION PLUS THE RIGHT COMBINATION OF STATE-OF-THE-ART ELECTRONICS COMBINE TO ROUND OUT THE PACKAGE. AND, FOR THOSE WHO INSIST ON KEEPING TRACK OF THE MINUTEST DETAILS, ELECTRONIC OIL STREAK SENSING UNITS ARE AVAILABLE AS AN OPTION.



AIR-OIL GENERATING UNIT



AIR-OIL MIXING UNIT



STREAK SENSING UNIT

AIR-OIL GENERATING UNIT

FOR APPLICATIONS WHERE THERE'S ROOM TO BREATHE, BIJUR DELIMON PROVIDES THE **OIL STREAK GENERATING UNIT**. EVERYTHING REQUIRED FOR INSTALLATION OF ALL MAJOR COMPONENTS IS CONVENIENTLY PROVIDED - PREASSEMBLED AND UNDER THE HOOD. LUBRICATOR, CONTROLS, INJECTORS, AIR-OIL MIXING VALVES, REGULATORS AND FILTERS ARE PRE-PLUMBED AND WIRED TO FACILITATE EASE OF INSTALLATION AND CONVENIENCE TO YOUR STAFF. TOPPED OFF WITH A STYLISH RESIN MOLDED COVER, THE UNIT PROVIDES YEARS OF SERVICE WHILE BEING PROTECTED FROM DUST, DIRT AND STRAY LIQUIDS THAT OFTEN CAUSE PREMATURE SYSTEM AND BEARING FAILURE.

FEATURES

COMPACT, PREASSEMBLED, STYLISH "PLUG & PLAY" ASSEMBLY

PRECISION AIR-OIL INJECTION, MIXING AND DELIVERY

M12 AND DIN ELECTRICAL CONNECTIONS

WIDE RANGE OF PRECISION INJECTOR OUTPUTS

SELF-CONTAINED ELECTRONICS

CUSTOM COLORING TO SUIT PLANT SCHEMES (OPTIONAL)

BENEFITS

RAPID RETURN ON INVESTMENT

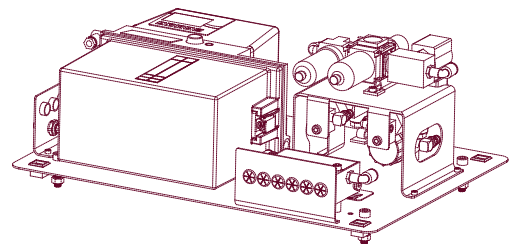
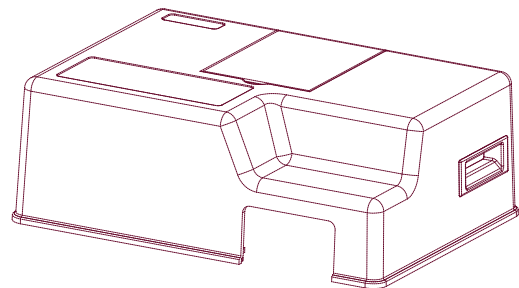
INCREASED PRODUCTIVITY

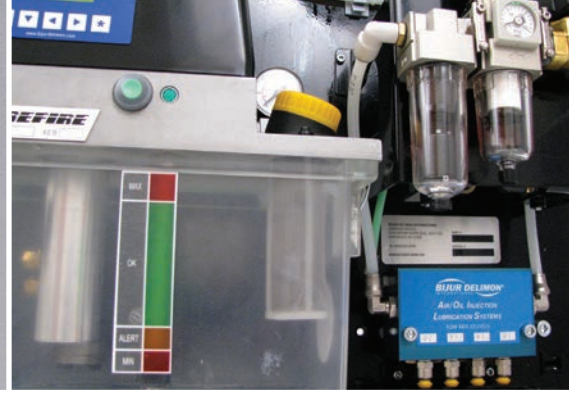
SIMPLE INSTALLATION

PRECISE CONTROL OF LUBRICANT, AIR AND OPERATING TEMPERATURES

EXTENDED BEARING AND SPINDLE LIFE

ENVIRONMENTALLY FRIENDLY; NO FOG ISSUES



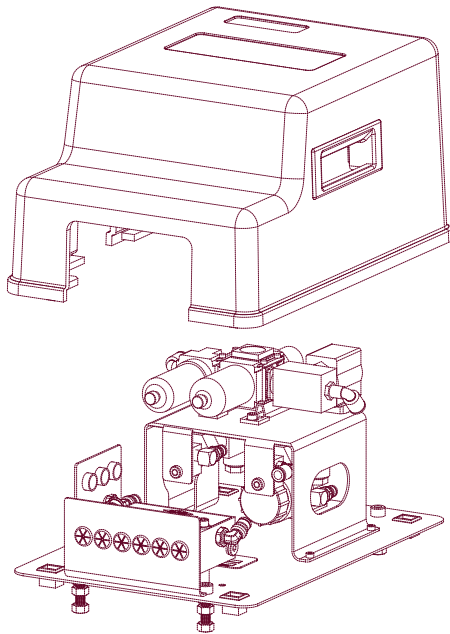


OIL STREAK
AIR-OIL MIXING UNIT



AIR-OIL MIXING UNIT

FOR APPLICATIONS ON SMALLER EQUIPMENT, THE **OIL STREAK MIXING UNIT** IS THE WAY TO GO. EVERYTHING REQUIRED TO PROPERLY PROVIDE FOR PRECISION METERING, MIXING AND DISPLACEMENT OF SPINDLE OIL IS CONVENIENTLY PROVIDED PREASSEMBLED AND UNDER THE HOOD. BUT, THE SYSTEM ALLOWS THE LUBRICATOR TO BE REMOTELY POSITIONED ON YOUR EQUIPMENT, MAKING IT POSSIBLE TO CUSTOM FIT THE OIL STREAK SYSTEM INTO A SMALLER ENVELOPE. AS WITH THE LARGER OIL STREAK GENERATING UNIT, EVERYTHING NEEDED TO ENSURE SPINDLE PROTECTED IS PROVIDED. AND, EVERYONE WILL BE PLEASED WITH THE NEAT, CLEAN, MODERN LOOK.



FEATURES

COMPACT, PREASSEMBLED, STYLISH “PLUG & PLAY” ASSEMBLY

PRECISION AIR-OIL INJECTION, MIXING AND DELIVERY

M12 AND DIN ELECTRICAL CONNECTIONS

WIDE RANGE OF PRECISION INJECTOR OUTPUTS

SELF-CONTAINED ELECTRONICS

CUSTOM COLORING TO SUIT PLANT SCHEMES (OPTIONAL)

BENEFITS

RAPID RETURN ON INVESTMENT

INCREASED PRODUCTIVITY

SIMPLE INSTALLATION

PRECISE CONTROL OF LUBRICANT, AIR AND OPERATING TEMPERATURES

EXTENDED BEARING AND SPINDLE LIFE

ENVIRONMENTALLY FRIENDLY; NO FOG ISSUES

STREAK SENSING UNIT

FOR THOSE SO INCLINED TO GO FOR ALL OF THE "LIGHTS, BELLS AND WHISTLES"... THIS OPTION WILL BRING OUT THE GEEK IN ANYONE. THE **OIL STREAK SENSING UNIT** IS DESIGNED TO DETECT MINUTE TRACES OF OIL TRAVELING THROUGH THE AIR TUBES. UTILISING DOMINANT AND SUBJECTIVE THEORY, MASTER SENSORS CONTAIN 4-SEGMENT LED DISPLAY, 3 SOFT KEYS FOR PROGRAMMING AND AN M12 ELECTRICAL CONNECTOR FOR POWER AND FAULT SIGNAL TRANSMISSION. THE UNITS MONITOR A SINGLE LUBRICATION LINE AND MAY BE CONFIGURED WITH UP TO 3 ADDITIONAL SECONDARY SENSORS TO PROVIDE FOR UP TO 4 LINE MONITORING. SENSING UNITS ARE DESIGNED TO ACCOMMODATE EITHER 4MM OR 6MM TUBING AND ARE PROVIDED IN A STYLISH, SEALED, IP66 RATED ENCLOSURE TO PROTECT YOUR INVESTMENT.

FEATURES

FULLY INTEGRATED SYSTEM MONITORING

"PLUG & PLAY" MODULAR DESIGN

EASE OF PROGRAMMING WITH 5 SENSITIVITY LEVELS

INDIVIDUAL LUBRICATION LINE CALIBRATION

M12 POWER AND FAULT SIGNAL CONNECTION

VISUAL VERIFICATION AT POINT OF DELIVERY

BENEFITS

MOST RELIABLE AND ACCURATE SYSTEM ON THE MARKET

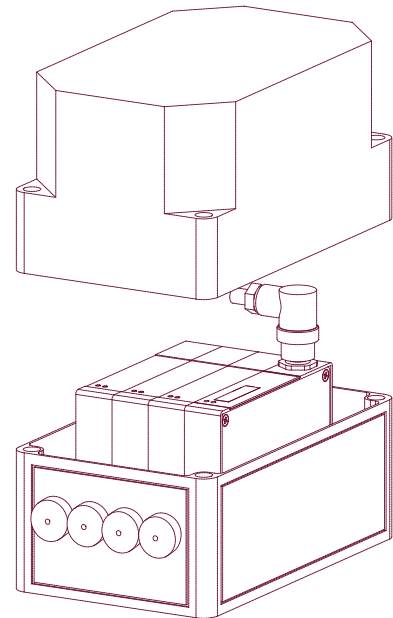
RAPID RETURN ON INVESTMENT

MAXIMIZED PRODUCTIVITY

SIMPLE INSTALLATION

DETECTS DIMINISHING FLOW PRIOR TO LOSS

MAXIMUM BEARING AND SPINDLE LIFE





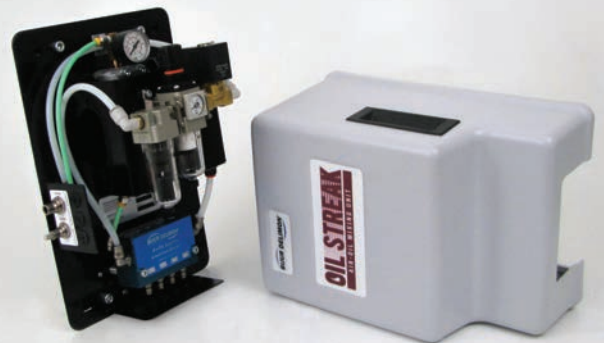
OIL STREAK



NEAT



CLEAN



SIMPLE



CUSTOM OEM COLORS* TO MATCH YOUR CURRENT MACHINE...



** THIS FEATURE IS OPTIONAL. INCLUDES MOST COLORS, CAN MATCH SWATCH COLORS.*



Innovators of engineered lubrication technology since 1872

Bijur Delimon International has ISO 9001:2008 and ISO 14000 quality certified manufacturing facilities around the world, so your centralized lubrication system meets the highest industry quality standards. It's all part of our commitment to quality and customer service.



CORPORATE HEADQUARTERS (USA)

Bijur Delimon International
2100 Gateway Centre Blvd.
Suite 109
Morrisville, NC 27560

(919) 465 4448 **TEL**
(800) 631 0168 **TOLL-FREE**
(919) 465 0516 **FAX**

GERMANY

Bijur Delimon International
Arminstrasse 15
40227 Düsseldorf

(+49) 211 / 77 74-0 **TEL**
(+49) 211 / 77 74-210 **FAX**

CHINA

Nanjing Bijur Machinery Products, Ltd.
#9 Hengtong Road
Nanjing Xingang Economic & Technical
Development Zone
Nanjing 210038

(+86) 25-85801188 **TEL**
(+86) 25-85802288 **FAX**

UNITED KINGDOM

Denco Lubrication Limited
Ramsden Court
Ramsden Road Rotherwas
Industrial Estate
Hereford, HR2 6LR

(+44) (0) 1432365000 **TEL**
(+44) (0) 1432365001 **FAX**

IRELAND

Bijur Lubricating Ireland Limited
Gort Road
Ennis, County Clare

(+353) 6568-21543 **TEL**
(+353) 6568-29667 **FAX**

FRANCE

Bijur Products, Inc.
PB 50 - ZI de Courtabœuf
9, Avenue de Quebec
F-91942 Courtaboeuf Cedex

(+33) (0)169298585 **TEL**
(+33) (0)169077627 **FAX**

SPAIN

Lubricacion Centralizada de Limon S.A.
Avenida Txori Erri 3
48150 Sondica Vicaya

(+34) 94-453-2000 **TEL**
(+34) 94-453-2500 **FAX**

INDIA

Bijur Delimon India Private Limited
H-Block, A 56/1
M.I.D.C., Pimpri
Pune- 411018, Maharashtra

(+91) 2032319149 **TEL**
(+91) 2027451725 **FAX**